**INTRODUCTION :**

The DL provides long throws to supply air to spaces that cannot be served by ductwork and conventional outlets due to structural or architectural restrictions. Controlling length of the throw and direction is made possible by rotating the Adjustable drum and louver vanes. The drum rotation features 60° angular adjustment of the jet centerline (30° up from centerline to 30° down). This makes the DL ideal for use in warehouses, factories, stadiums, or any large enclosed space.

CONSTRUCTION OPTIONS:**Core style**

Single blade : DL (Drum Louver) , DLS (Spiral Drum Louver)

Split blade : DL2 (Drum Louver with Split Vanes) , DLS2 (Spiral Drum Louver with Split Vanes)

Material

* Aluminum : 6063-T5

Mounting Style

* Surface mount

* Spiral duct frame

Options

* Air Scoop Option (AS) : DL-AS ; DL2-AS ; DLS-AS ; DLS2-AS

* Opposed Blade Damper Option (OBD) : DL-OBD ; DL2-OBD ; DLS-OBD ; DLS2-OBD

* Actuator / Motorized Option (M) : DL-M ; DL2-M ; DLS-M ; DLS2-M

* Foam Gasket in frame (F) : DL-F ; DL2-F ; DLS-F ; DLS2-F

Finishing :

* Mill Standard

* White Painted (RAL9010)

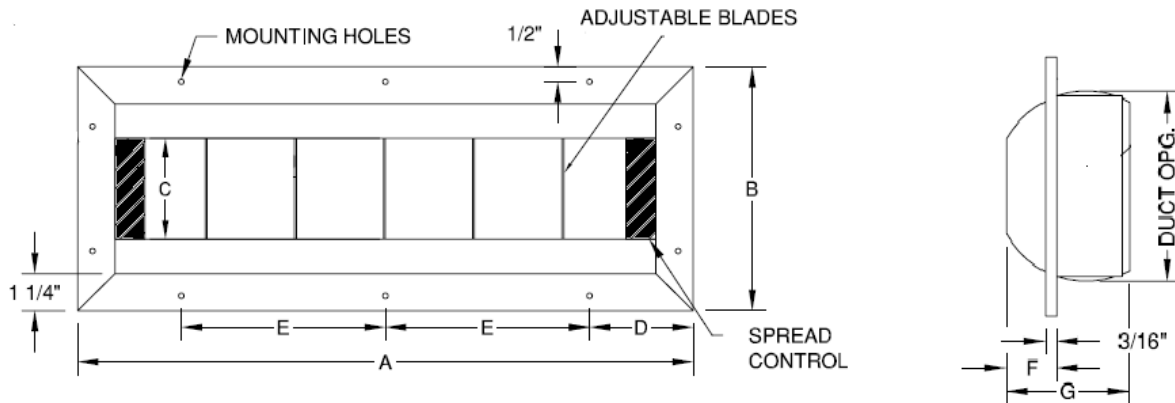
* Clear Anodize

STANDARD SIZES:

HEIGHT: 6" - 10" - 12" or 15"
 152mm - 254mm - 305mm or 381mm

WIDTH:

For 6" Height: 9" - 12" - 18" - 24" - 30" - 36" - 48" - 60"
 223 - 305 - 457 - 610 - 762 - 914 - 122 - 152mm
 For 10" Height: 20" - 25" - 30" - 35" - 40" - 50" - 60" - 70"
 508 - 635 - 762 - 889 - 102 - 127 - 152 - 178mm
 For 12" Height: 20" - 30" - 40" - 50" - 60" - 70"
 508 - 762 - 102 - 127 - 152 - 178mm
 For 15" Height: 15" - 20" - 25" - 30" - 42" - 50" - 60" - 70"
 381 - 508 - 635 - 762 - 107 - 127 - 152 - 178mm



DL SIZE CHART

For 6" Height

LIST SIZE	DUCT SIZE	A	B	C	D	E	F	G	NECK AREA(FT2)
9 x 6	9x6 8/16"	10 11/16"	8 3/16"	3 1/16"	3 27/32"	6	1 10/16"	3 6/8"	40
12 x 6	12x6 8/16"	13 11/16"	8 3/16"	3 1/16"	3 27/32"	6	1 10/16"	3 6/8"	54
18 x 6	18x6 8/16"	19 11/16"	8 3/16"	3 1/16"	3 27/32"	6	1 10/16"	3 6/8"	81
24 x 6	24x6 8/16"	25 11/16"	8 3/16"	3 1/16"	3 27/32"	6	1 10/16"	3 6/8"	1.08
30 x 6	30x6 8/16"	31 11/16"	8 3/16"	3 1/16"	3 27/32"	6	1 10/16"	3 6/8"	1.36
36 x 6	36x6 8/16"	37 11/16"	8 3/16"	3 1/16"	3 27/32"	6	1 10/16"	3 6/8"	1.63
48 x 6	48x6 8/16"	49 11/16"	8 3/16"	3 1/16"	3 27/32"	6	1 10/16"	3 6/8"	2.15
60 x 6	60x6 8/16"	61 11/16"	8 3/16"	3 1/16"	3 27/32"	6	1 10/16"	3 6/8"	2.70

For 10" Height

LIST SIZE	DUCT SIZE	A	B	C	D	E	F	G	NECK AREA(FT2)
20 x 10	20x10 6/16"	21 11/16"	12 3/16"	5 11/16"	3 27/32"	7	2 13/16"	6"	1.45
25 x 10	25x10 6/16"	26 11/16"	12 3/16"	5 11/16"	3 27/32"	7	2 13/16"	6"	1.80
30 x 10	30x10 6/16"	31 11/16"	12 3/16"	5 11/16"	3 27/32"	7	2 13/16"	6"	2.17
35 x 10	35x10 6/16"	36 11/16"	12 3/16"	5 11/16"	3 27/32"	7	2 13/16"	6"	2.51
40 x 10	40x10 6/16"	41 11/16"	12 3/16"	5 11/16"	3 27/32"	7	2 13/16"	6"	2.69
50 x 10	50x10 6/16"	51 11/16"	12 3/16"	5 11/16"	3 27/32"	7	2 13/16"	6"	3.60
60 x 10	60x10 6/16"	61 11/16"	12 3/16"	5 11/16"	3 27/32"	7	2 13/16"	6"	4.31
70 x 10	70x10 6/16"	71 11/16"	12 3/16"	5 11/16"	3 27/32"	7	2 13/16"	6"	5.05

For 12" Height

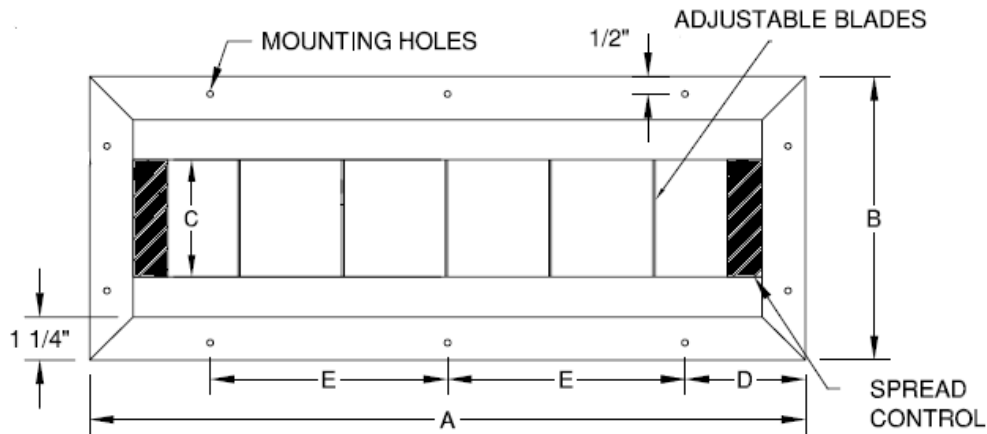
LIST SIZE	DUCT SIZE	A	B	C	D	E	F	G	NECK AREA(FT2)
20 x 12	20x12 6/16"	21 11/16"	14 13/16"	7 5/8"	3 27/32"	7	2 13/16"	6"	1.75
30 x 12	30x12 6/16"	31 11/16"	14 13/16"	7 5/8"	3 27/32"	7	2 13/16"	6"	2.62
40 x 12	40x12 6/16"	41 11/16"	14 13/16"	7 5/8"	3 27/32"	7	2 13/16"	6"	3.49
50 x 12	50x12 6/16"	51 11/16"	14 13/16"	7 5/8"	3 27/32"	7	2 13/16"	6"	4.36
60 x 12	60x12 6/16"	61 11/16"	14 13/16"	7 5/8"	3 27/32"	7	2 13/16"	6"	5.23
70 x 12	70x12 6/16"	71 11/16"	14 13/16"	7 5/8"	3 27/32"	7	2 13/16"	6"	6.10

For 15" Height

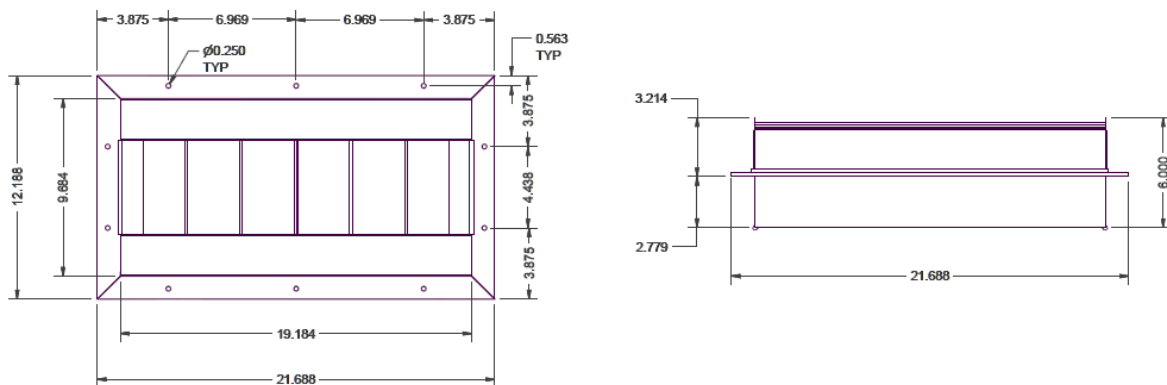
LIST SIZE	DUCT SIZE	A	B	C	D	E	F	G	NECK AREA(FT2)
15 x 15	15x15 6/16"	16 11/16"	16 5/8"	10"	3 27/32"	11	2 13/16"	6"	1.58
20 x 15	20x15 6/16"	21 11/16"	16 5/8"	10"	3 27/32"	11	2 13/16"	6"	2.09
25 x 15	25x15 6/16"	26 11/16"	16 5/8"	10"	3 27/32"	11	2 13/16"	6"	2.60
30 x 15	30x15 6/16"	31 11/16"	16 5/8"	10"	3 27/32"	11	2 13/16"	6"	3.14
40 x 15	40x15 6/16"	41 11/16"	16 5/8"	10"	3 27/32"	11	2 13/16"	6"	4.17
50 x 15	50x15 6/16"	51 11/16"	16 5/8"	10"	3 27/32"	11	2 13/16"	6"	5.20
60 x 15	60x15 6/16"	61 11/16"	16 5/8"	10"	3 27/32"	11	2 13/16"	6"	6.25
70 x 15	70x15 6/16"	71 11/16"	16 5/8"	10"	3 27/32"	11	2 13/16"	6"	7.29

FACE VIEW, CROSS SECTION, & ROTATION DETAILS:

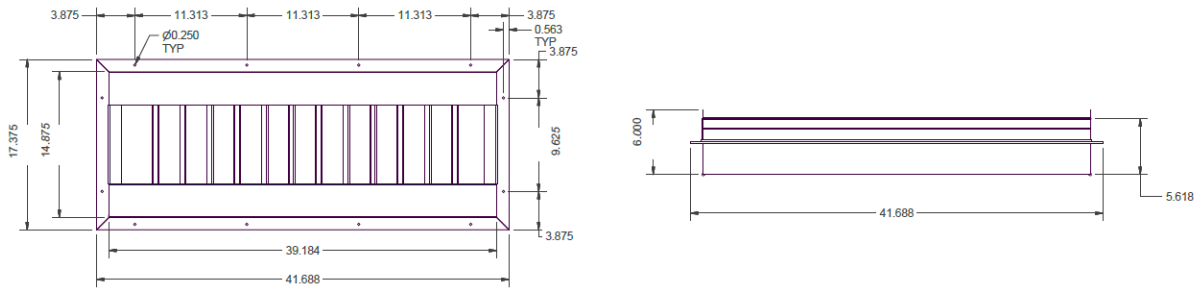
Face View



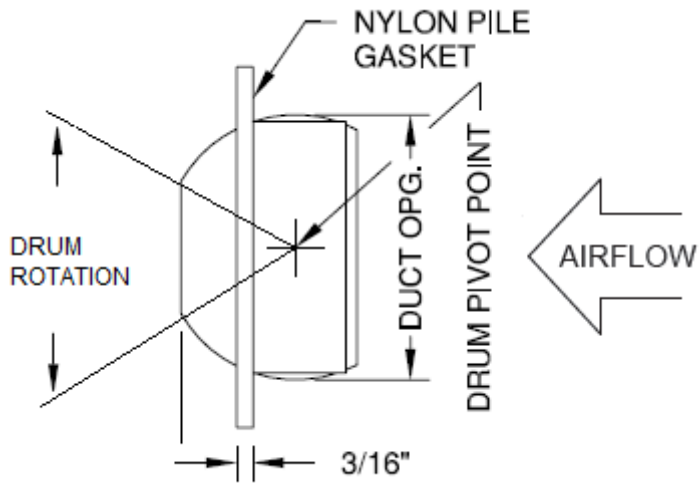
Draft : 20"x10" - 508x254mm



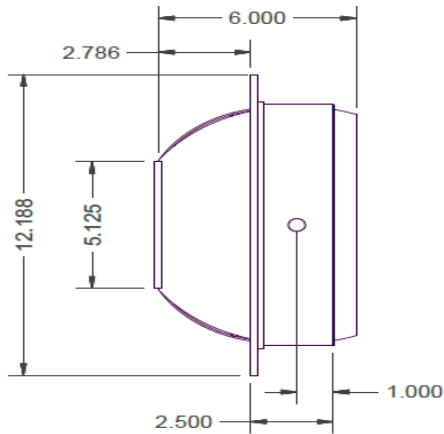
Draft : 50"x15" - 1270x381mm



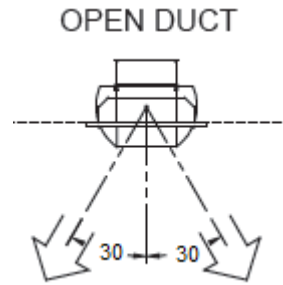
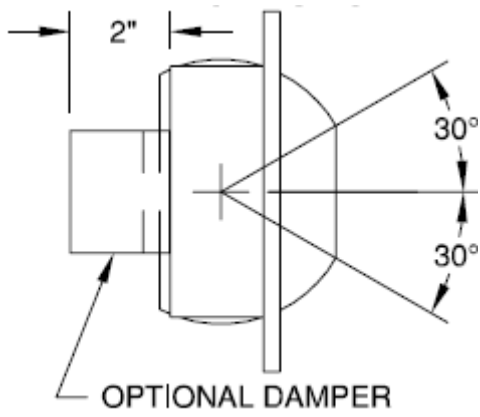
Cross Section



Draft : 20"x10" - 508x254mm



Rotation Description

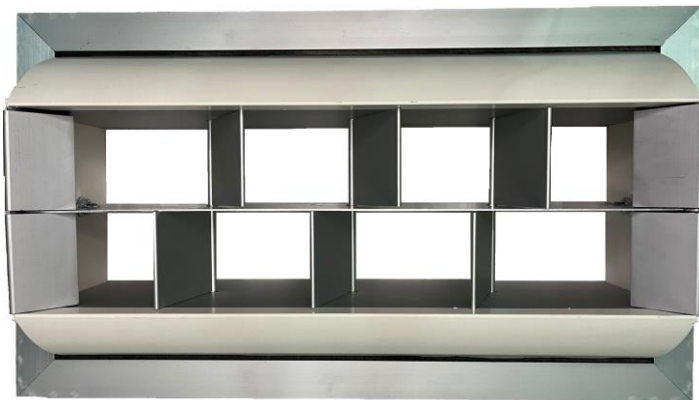


MODELS

DL : Standard Drum Louver



DL2 : Drum Louver with Split Vanes



DLS : Spiral Drum Louver



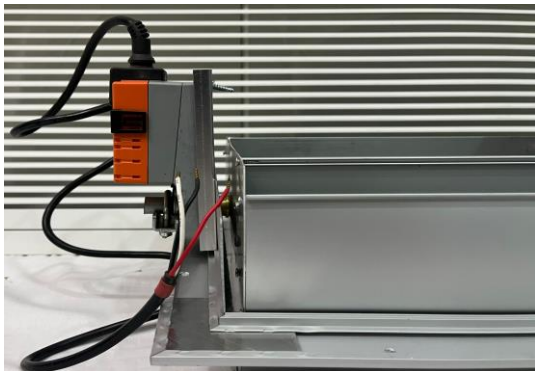
DL-OBD : Opposed Blade Damper Option (OBD)



DL-AS : Air Scoop Option (AS)



DL-M : Actuator / Motorized Option (M)



PERFORMANCE DATA:

IP/METRIC DATA: DL, DL2 - 6" HEIGHT

Liste Size	IP DATA						Metric Size	Metric Data						
	Duct Vel.	Air Flow	Pt	Throw				NC	Duct Vel.	Air Flow	Pt	Throw		
in	FPM	CFM	WG	ft			mm		m/sn	L/sn	Pa	m		
9"x6"	425	183	0,092	6	12	24	11	229x152	2,16	86,358	22,91	1,83	3,66	7,32
	594	255	0,178	11	20	39	23		3,02	120,33	44,32	3,35	6,10	11,89
	763	328	0,294	18	23	33	32		3,88	154,78	73,21	5,49	7,01	10,06
	931	400	0,439	21	25	36	39		4,73	188,76	109,31	6,40	7,62	10,97
	1100	473	0,615	23	28	39	45		5,59	223,21	153,14	7,01	8,53	11,89
12"x6"	425	240	0,910	9	20	28	12	305x152	2,16	113,26	226,59	2,74	6,10	8,53
	588	331	0,176	18	23	33	23		2,99	156,2	43,82	5,49	7,01	10,06
	750	423	0,286	21	26	37	32		3,81	199,61	71,21	6,40	7,92	11,28
	913	515	0,421	24	29	41	39		4,64	243,03	104,83	7,32	8,84	12,50
	1075	606	0,585	26	31	44	45		5,46	285,97	145,67	7,92	9,45	13,41
18"x6"	400	333	0,812	18	23	33	11	457x152	2,03	157,14	202,19	5,49	7,01	10,06
	563	468	0,155	23	28	39	23		2,86	220,85	38,60	7,01	8,53	11,89
	725	603	0,265	26	31	44	32		3,68	284,56	65,99	7,92	9,45	13,41
	888	738	0,397	28	35	49	39		4,51	348,26	98,85	8,53	10,67	14,94
	1050	874	0,556	31	38	53	45		5,33	412,44	138,44	9,45	11,58	16,15
24"x6"	400	440	0,808	22	27	38	12	610x152	2,03	207,64	201,19	6,71	8,23	11,58
	556	612	0,155	26	32	45	23		2,82	288,8	38,60	7,92	9,75	13,72
	713	784	0,255	29	36	50	32		3,62	369,97	63,50	8,84	10,97	15,24
	869	956	0,381	32	39	56	39		4,41	451,14	94,87	9,75	11,89	17,07
	1025	1128	0,535	35	43	60	45		5,21	532,3	133,22	10,67	13,11	18,29
30"x6"	400	547	0,810	24	30	42	12	762x152	2,03	258,13	201,69	7,32	9,14	12,80
	550	752	0,152	29	35	49	24		2,79	354,87	37,85	8,84	10,67	14,94
	700	958	0,247	32	39	56	32		3,56	452,08	61,50	9,75	11,89	17,07
	850	1163	0,364	35	43	61	39		4,32	548,82	90,64	10,67	13,11	18,59
	1000	1368	0,505	38	47	67	45		5,08	645,56	125,75	11,58	14,33	20,42
36"x6"	375	614	0,070	26	32	45	11	914x152	1,91	289,75	17,43	7,92	9,75	13,72
	525	859	0,141	30	37	53	23		2,67	405,36	35,11	9,14	11,28	16,15
	675	1104	0,230	35	42	60	32		3,43	520,98	57,27	10,67	12,80	18,29
	825	1350	0,344	38	47	66	39		4,19	637,07	85,66	11,58	14,33	20,12
	975	1595	0,481	42	51	72	45		4,95	752,68	119,77	12,80	15,54	21,95
48"x6"	375	815	0,071	30	36	51	12	1219x152	1,91	384,6	17,68	9,14	10,97	15,54
	519	1127	0,135	35	43	60	23		2,64	531,83	33,62	10,67	13,11	18,29
	663	1439	0,221	39	48	68	32		3,37	679,06	55,03	11,89	14,63	20,73
	806	1751	0,328	44	53	75	39		4,09	826,3	81,67	13,41	16,15	22,86
	950	2063	0,456	47	58	82	45		4,83	973,53	113,54	14,33	17,68	24,99
60"x6"	375	1016	0,071	33	41	57	13	1524x152	1,91	479,45	17,68	10,06	12,50	17,37
	513	1388	0,134	39	47	67	24		2,61	655	33,37	11,89	14,33	20,42
	650	1760	0,215	44	53	76	32		3,30	830,54	53,54	13,41	16,15	23,16
	788	2133	0,313	48	59	83	39		4,00	1006,6	77,94	14,63	17,98	25,30
	925	2505	0,433	52	64	90	45		4,70	1182,1	107,82	15,85	19,51	27,43

Performance Notes:

- All Data was tested in accordance with ANSI/ASHRAE 70-2006
- The NC values are based on a room absorption of 10 dB re 10⁻¹² watts and one diffuser.
- Blanks (-) indicate an NC level below 10.
- Throw data is based on supply air and room air being at isothermal conditions.
- Throw values are measured in feet for terminal velocities of 150 fpm (min.), 100 fpm (mid.) and 50 fpm (max.) (0.75, 0.50, and 0.25 m/s)
- The performance table above is based on units with 0° blade deflection and no dampers. Correction factors for other blade configurations are listed in the following table.

IP/METRIC DATA: DL, DL2 - 10" HEIGHT

Liste Size	IP DATA						Metrik Size	Metric Data						
	Duct Vel.	Air Flow	Pt	Throw				NC	Duct Vel.	Air Flow	Pt	Throw		
in	FPM	CFM	WG	ft				mm	m/sn	L/sn	Pa	m		
20"x10"	400	590	0,550	26	30	45	10	508x254	2,03	278,421	136,95	7,92	9,14	13,72
	557	915	0,106	30	37	51	22		2,83	431,789	26,39	9,14	11,28	15,54
	714	1040	0,174	35	41	59	32		3,63	490,776	43,33	10,67	12,50	17,98
	870	1270	0,255	37	45	65	38		4,42	599,313	63,50	11,28	13,72	19,81
	1026	1498	0,359	41	50	70	45		5,21	706,906	89,39	12,50	15,24	21,34
25"x10"	400	725	0,055	28	35	50	11	635x254	2,03	342,128	13,70	8,53	10,67	15,24
	550	998	0,104	35	40	57	24		2,79	470,956	25,90	10,67	12,19	17,37
	700	1270	0,165	37	45	65	32		3,56	599,313	41,09	11,28	13,72	19,81
	850	1540	0,245	40	50	71	40		4,32	726,726	61,01	12,19	15,24	21,64
	1000	1815	0,340	45	55	77	45		5,08	856,499	84,66	13,72	16,76	23,47
30"x10"	376	815	0,047	30	35	50	12	762x254	1,91	384,599	11,70	9,14	10,67	15,24
	524	1140	0,940	35	43	60	23		2,66	537,966	234,06	10,67	13,11	18,29
	670	1465	0,155	40	50	70	30		3,40	691,334	38,60	12,19	15,24	21,34
	830	1790	0,231	45	54	76	39		4,22	844,701	57,52	13,72	16,46	23,16
	980	2112	0,323	49	60	85	45		4,98	996,653	80,43	14,94	18,29	25,91
35"x10"	380	945	0,047	32	40	56	12	889x254	1,93	445,946	11,70	9,75	12,19	17,07
	525	1325	0,093	38	46	67	23		2,67	625,268	23,16	11,58	14,02	20,42
	680	1700	0,155	44	54	75	32		3,45	802,23	38,60	13,41	16,46	22,86
	825	2080	0,231	47	59	82	39		4,19	981,552	57,52	14,33	17,98	24,99
	980	2460	0,322	53	63	90	45		4,98	1160,87	80,18	16,15	19,20	27,43
40"x10"	376	1080	0,047	35	42	60	11	1016x254	1,91	509,652	11,70	10,67	12,80	18,29
	520	1495	0,092	40	50	70	24		2,64	705,491	22,91	12,19	15,24	21,34
	665	1900	0,150	45	56	80	32		3,38	896,61	37,35	13,72	17,07	24,38
	810	2317	0,223	50	62	88	39		4,11	1093,39	55,53	15,24	18,90	26,82
	950	2730	0,310	55	67	95	45		4,83	1288,29	77,19	16,76	20,42	28,96
50"x10"	375	1345	0,047	39	57	66	12	1270x254	1,91	634,706	11,70	11,89	17,37	20,12
	515	1836	0,090	45	55	77	24		2,62	866,408	22,41	13,72	16,76	23,47
	650	2329	0,145	50	60	88	32		3,30	1099,06	36,11	15,24	18,29	26,82
	790	2820	0,210	55	68	98	39		4,01	1330,76	52,29	16,76	20,73	29,87
	925	3315	0,295	60	74	105	45		4,70	1564,35	73,46	18,29	22,56	32,00
60"x10"	350	1500	0,043	40	50	70	12	1524x254	1,78	707,85	10,71	12,19	15,24	21,34
	496	2119	0,084	49	60	85	23		2,52	999,956	20,92	14,94	18,29	25,91
	640	2734	0,135	55	67	95	32		3,25	1290,17	33,62	16,76	20,42	28,96
	785	3350	0,200	60	74	105	39		3,99	1580,87	49,80	18,29	22,56	32,00
	925	3970	0,275	65	80	114	45		4,70	1873,44	68,48	19,81	24,38	34,75
70"x10"	350	1750	0,043	43	54	75	12	1778x254	1,78	825,825	10,71	13,11	16,46	22,86
	490	2436	0,080	51	62	90	23		2,49	1149,55	19,92	15,54	18,90	27,43
	625	3125	0,133	59	70	100	32		3,18	1474,69	33,12	17,98	21,34	30,48
	765	3810	0,200	64	80	112	39		3,89	1797,94	49,80	19,51	24,38	34,14
	900	4497	0,275	70	85	120	45		4,57	2122,13	68,48	21,34	25,91	36,58

Performance Notes:

- All Data was tested in accordance with ANSI/ASHRAE 70-2006
- The NC values are based on a room absorption of 10 dB re 10⁻¹² watts and one diffuser.
- Blanks (-) indicate an NC level below 10.
- Throw data is based on supply air and room air being at isothermal conditions.
- Throw values are measured in feet for terminal velocities of 150 fpm (min.), 100 fpm (mid.) and 50 fpm (max.) (0.75, 0.50, and 0.25 m/s)
- The performance table above is based on units with 0° blade deflection and no dampers. Correction factors for other blade configurations are listed in the following table.

Correction Factors

	Blade Deflection		
	0°	15°	30°
NC	-	+4	+8
Throw	-	x .85	x .69
Total Press	-	x .1,3	x .1,8

IP/METRIC DATA: DL, DL2 - 12" HEIGHT

Liste Size	IP DATA							Metric Size	Metric Data					
	Duct Vel.	Air Flow	Pt	Throw			NC		Duct Vel.	Air Flow	Pt	Throw		
in	FPM	CFM	WG	ft				mm	m/sn	L/sn	Pa	m		
20"x12"	400	700	0,050	27	35	48	12	508x305	2,03	330,33	12,45	8,23	10,67	14,63
	550	960	0,097	32	40	57	24		2,79	453,024	24,15	9,75	12,19	17,37
	700	1220	0,155	35	45	64	32		3,56	575,718	38,60	10,67	13,72	19,51
	850	1485	0,230	40	50	70	39		4,32	700,772	57,27	12,19	15,24	21,34
	1010	1745	0,320	45	55	75	45		5,13	823,466	79,68	13,72	16,76	22,86
30"x12"	375	970	0,045	31	40	55	12	762x305	1,91	457,743	11,21	9,45	12,19	16,76
	530	1360	0,089	38	48	66	23		2,69	641,784	22,16	11,58	14,63	20,12
	680	1750	0,145	45	53	75	32		3,45	825,825	36,11	13,72	16,15	22,86
	825	2139	0,218	49	59	84	39		4,19	1009,39	54,28	14,94	17,98	25,60
	975	2527	0,301	52	65	90	45		4,95	1192,49	74,95	15,85	19,81	27,43
40"x12"	375	1290	0,045	37	45	65	11	1016x305	1,91	608,751	11,21	11,28	13,72	19,81
	520	1785	0,085	45	55	75	24		2,64	842,342	21,17	13,72	16,76	22,86
	665	2278	0,140	50	60	85	34		3,38	1074,99	34,86	15,24	18,29	25,91
	806	2775	0,208	55	66	95	40		4,09	1309,52	51,79	16,76	20,12	28,96
	950	3267	0,290	60	74	104	45		4,83	1541,7	72,21	18,29	22,56	31,70
50"x12"	350	1500	0,040	40	50	70	12	1270x305	1,78	707,85	9,96	12,19	15,24	21,34
	495	2115	0,079	49	59	83	23		2,51	998,069	19,67	14,94	17,98	25,30
	640	2730	0,130	55	67	95	32		3,25	1288,29	32,37	16,76	20,42	28,96
	780	3350	0,196	60	75	105	39		3,96	1580,87	48,80	18,29	22,86	32,00
	925	3965	0,275	65	80	115	45		4,70	1871,08	68,48	19,81	24,38	35,05
60"x12"	350	1795	0,040	45	55	75	12	1524x305	1,78	847,061	9,96	13,72	16,76	22,86
	490	2500	0,075	51	65	90	23		2,49	1179,75	18,68	15,54	19,81	27,43
	625	3205	0,125	60	72	105	32		3,18	1512,44	31,13	18,29	21,95	32,00
	765	3915	0,185	65	80	115	39		3,89	1847,49	46,07	19,81	24,38	35,05
	900	4620	0,255	70	90	125	45		4,57	2180,18	63,50	21,34	27,43	38,10
70"x12"	350	2095	0,040	49	59	83	11	1778x305	1,78	988,631	9,96	14,94	17,98	25,30
	480	2875	0,075	55	69	98	24		2,44	1356,71	18,68	16,76	21,03	29,87
	615	3660	0,120	64	78	110	32		3,12	1727,15	29,88	19,51	23,77	33,53
	745	4445	0,175	70	85	120	39		3,78	2097,6	43,58	21,34	25,91	36,58
	875	5230	0,245	75	95	131	45		4,45	2468,04	61,01	22,86	28,96	39,93

Performance Notes:

1. All Data was tested in accordance with ANSI/ASHRAE 70-2006
2. The NC values are based on a room absorption of 10 dB re 10⁻¹² watts and one diffuser.
3. Blanks (-) indicate an NC level below 10.
4. Throw data is based on supply air and room air being at isothermal conditions.
5. Throw values are measured in feet for terminal velocities of 150 fpm (min.), 100 fpm (mid.) and 50 fpm (max.) (0.75, 0.50, and 0.25 m/s)
6. The performance table above is based on units with 0° blade deflection and no dampers. Correction factors for other blade configurations are listed in the following table.

Correction Factors

	Blade Deflection		
	0°	15°	30°
NC	-	+4	+8
Throw	-	x .85	x .69
Total Press	-	x .1,3	x .1,8

Example: 30"x12" - Flow Rate : 1750cfm – Deflection: 15°

NC: 32 + 4 = 36

Throw (150fpm) : 52x0,85 : 44,20 ft

Total Pressure : 0,145 x 1,3 : 0,18 in.w.g.

IP/METRIC DATA: DL, DL2 - 15" HEIGHT

Liste Size	IP DATA							Metric Size	Metric Data					
	Duct Vel.	Air Flow	Pt	Throw			NC		Duct Vel.	Air Flow	Pt	Throw		
	in	FPM	CFM	WG	ft				mm	m/sn	L/sn	Pa	m	
15"x15"	400	660	0,042	27	35	46	11	381x381	2,03	311,454	10,46	8,23	10,67	14,02
	550	905	0,080	30	38	55	23		2,79	427,07	19,92	9,14	11,58	16,76
	700	1155	0,132	35	44	60	33		3,56	545,045	32,87	10,67	13,41	18,29
	850	1400	0,195	40	48	68	39		4,32	660,66	48,56	12,19	14,63	20,73
	1000	1650	0,270	42	52	73	45		5,08	778,635	67,23	12,80	15,85	22,25
20"x15"	375	815	0,039	30	35	50	12	508x381	1,91	384,599	9,71	9,14	10,67	15,24
	525	1143	0,075	35	40	60	24		2,67	539,382	18,68	10,67	12,19	18,29
	675	1470	0,124	40	50	70	33		3,43	693,693	30,88	12,19	15,24	21,34
	830	1796	0,184	44	55	75	39		4,22	847,532	45,82	13,41	16,76	22,86
	980	2120	0,255	49	60	84	45		4,98	1000,43	63,50	14,94	18,29	25,60
25"x15"	375	1015	0,039	33	40	57	12	635x381	1,91	478,979	9,71	10,06	12,19	17,37
	520	1400	0,072	40	48	66	23		2,64	660,66	17,93	12,19	14,63	20,12
	665	1790	0,119	44	55	77	33		3,38	844,701	29,63	13,41	16,76	23,47
	805	2180	0,175	50	60	85	39		4,09	1028,74	43,58	15,24	18,29	25,91
	950	2569	0,245	53	66	90	45		4,83	1212,31	61,01	16,15	20,12	27,43
30"x15"	375	1210	0,039	35	45	63	11	762x381	1,91	570,999	9,71	10,67	13,72	19,20
	520	1675	0,072	44	52	75	24		2,64	790,433	17,93	13,41	15,85	22,86
	665	2140	0,119	49	60	84	33		3,38	1009,87	29,63	14,94	18,29	25,60
	805	2600	0,175	53	65	95	39		4,09	1226,94	43,58	16,15	19,81	28,96
	950	3070	0,245	58	70	99	45		4,83	1448,73	61,01	17,68	21,34	30,18
40"x15"	350	1500	0,034	40	50	70	12	1016x381	1,78	707,85	8,47	12,19	15,24	21,34
	495	2115	0,067	49	60	85	23		2,51	998,069	16,68	14,94	18,29	25,91
	640	2730	0,110	55	67	95	33		3,25	1288,29	27,39	16,76	20,42	28,96
	780	3345	0,165	60	75	105	39		3,96	1578,51	41,09	18,29	22,86	32,00
	925	3965	0,230	65	80	112	45		4,70	1871,08	57,27	19,81	24,38	34,14
50"x15"	350	1870	0,034	45	55	78	11	1270x381	1,78	882,453	8,47	13,72	16,76	23,77
	490	2600	0,063	55	65	91	24		2,49	1226,94	15,69	16,76	19,81	27,74
	625	3340	0,105	60	75	105	32		3,18	1576,15	26,15	18,29	22,86	32,00
	765	4070	0,155	65	80	116	39		3,89	1920,63	38,60	19,81	24,38	35,36
	900	4805	0,220	72	89	124	45		4,57	2267,48	54,78	21,95	27,13	37,80
60"x15"	350	2240	0,034	50	60	85	11	1524x381	1,78	1057,06	8,47	15,24	18,29	25,91
	480	3075	0,063	58	70	100	24		2,44	1451,09	15,69	17,68	21,34	30,48
	615	3915	0,100	65	80	115	33		3,12	1847,49	24,90	19,81	24,38	35,05
	745	4755	0,150	72	87	125	39		3,78	2243,88	37,35	21,95	26,52	38,10
	875	5590	0,206	79	96	135	45		4,45	2637,92	51,29	24,08	29,26	41,15
70"x15"	350	2605	0,034	53	65	92	12	1778x381	1,78	1229,3	8,47	16,15	19,81	28,04
	480	3585	0,063	62	75	110	24		2,44	1691,76	15,69	18,90	22,86	33,53
	615	4560	0,100	70	85	125	32		3,12	2151,86	24,90	21,34	25,91	38,10
	745	5540	0,150	77	95	135	40		3,78	2614,33	37,35	23,47	28,96	41,15
	875	6520	0,206	85	105	145	45		4,45	3076,79	51,29	25,91	32,00	44,20

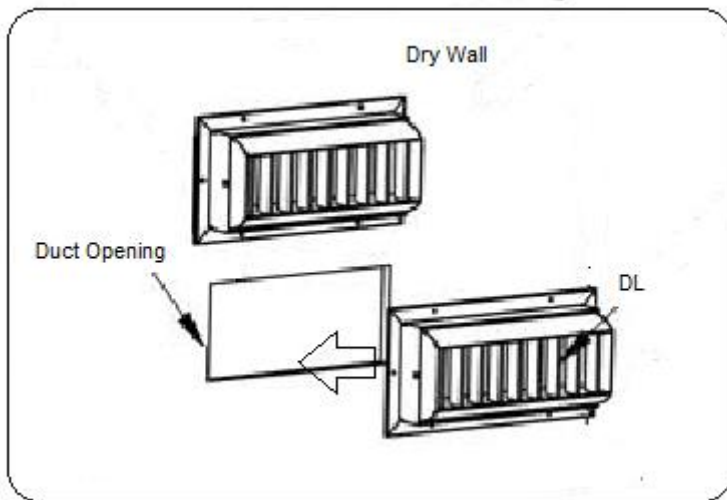
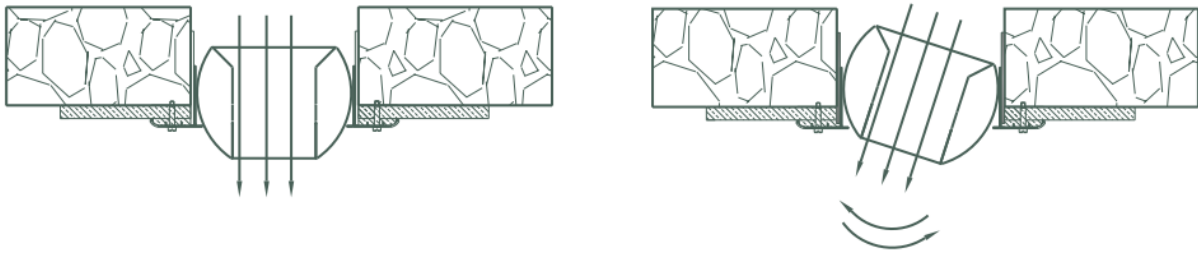
Performance Notes:

- All Data was tested in accordance with ANSI/ASHRAE 70-2006
- The NC values are based on a room absorption of 10 dB re 10⁻¹² watts and one diffuser.
- Blanks (-) indicate an NC level below 10.
- Throw data is based on supply air and room air being at isothermal conditions.
- Throw values are measured in feet for terminal velocities of 150 fpm (min.), 100 fpm (mid.) and 50 fpm (max.) (0.75, 0.50, and 0.25 m/s)
- The performance table above is based on units with 0° blade deflection and no dampers. Correction factors for other blade configurations are listed in the following table.

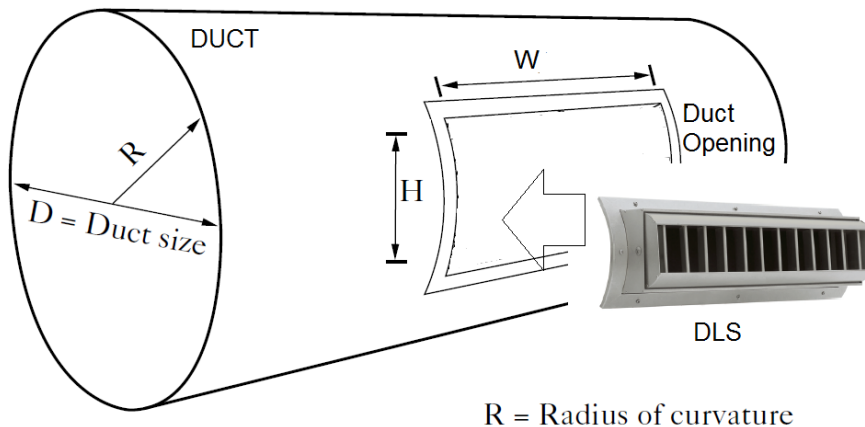
Correction Factors

	Blade Deflection		
	0°	15°	30°
NC	-	+4	+8
Throw	-	x .85	x .69
Total Press	-	x .1,3	x .1,8

DL INSTALLATION:



DLS INSTALLATION:



ORDER CODES

	DL	00	RAL9010	SM	N 20"x10"/508x254mm
<p>DL: Drum Louver DL2: Drum Louver with Split Vanes DLS: Spiral Drum Louver DLS2: Spiral Drum Louver with Split Vanes</p>					<p>N: Neck Size F: Frame Size</p>
<p>00 : Without Damper OBD : Opposite Blade Damper AS : Air Scoop F : Foam Gasket in Frame M : Actuator /Motorized</p>					<p>00: No Mounting SM: Screw Mounting</p>
					<p>00: No coating (mill finish) EX: Anodized</p>
					<p>RAL----: Powder Coating</p>