



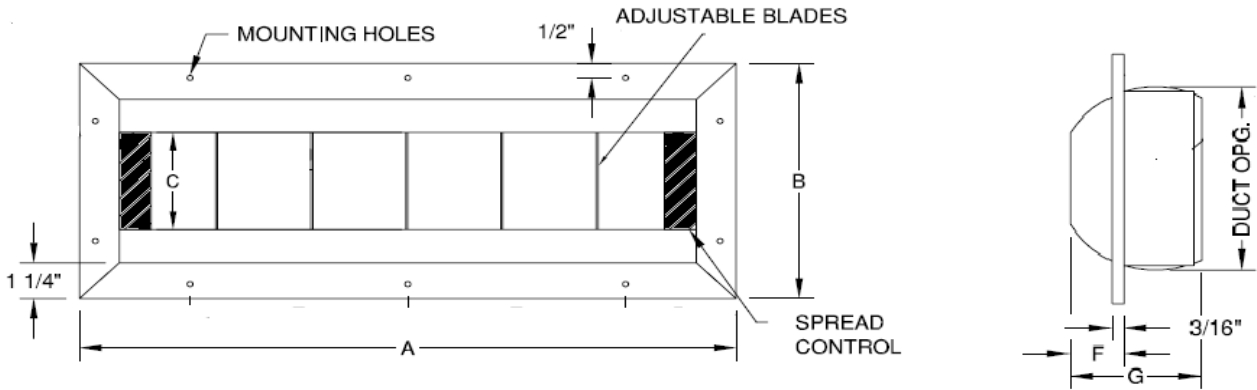
SUBMITAL AND DRAWING  
MODEL-DL

PROJECT : .....  
ENGINEER : .....  
CONTRACTOR : .....  
SUBMITTED BY : .....  
DATE : .....

**INDUSTRIAL /LOUVER-DIFFUSER**

MATERIAL : Aluminum frame and drum  
FACE : Side wall/Ceiling

**DRUM LOUVER**



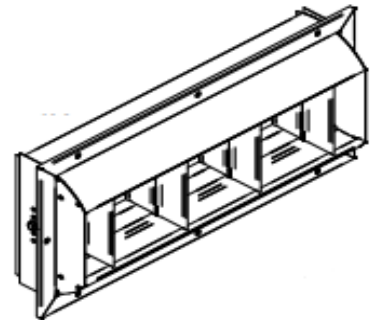
**AVAILABLE SIZES :**

Height	B	C	F	G
6	8 -3/16"	3 -1/16"	1 10/16"	3"-6/8"
10	12- 1/2"	5- 7/8"	2 13/16"	5-7/8"
12	14 -13/16"	7- 5/8"	2 13/16"	5-7/8"
15	17 -1/8"	10"-5/8"	2 13/16"	5-7/8"

A 18" TO 72" (1" INCREMENTS)

**BLADE TYPE**

Single Blade



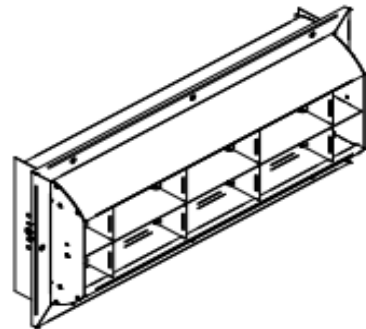
**OPTIONS:**

- DL-AS : Air Scoop Option (AS)
- DL-M : Actuator / Motorized Option (M)

**DAMPER OPTIONS:**

- 00-WD- NO DAMPER
- DL-MD- MULTI SHUTTER DAMPER
- DL-OBD : Opposed Blade Damper Option (OBD)

Split Blade



**AVAILABLE FINISHES**

STANDART FINISH

01 WHITE (RAL 9010)

OPTIONAL FINISH (NO EXTRA CHARGE):

06 MILL FINISH       02 WHITE (RAL 9016)

OPTIONAL FINISH (ADDITIONAL CHARGE):

03 SILVER-Ral9006       07 CUSTOM COLOR/ SET UP CHARGE  
 04 ANODIZED               08 RAL...../SET UP CHARGE  
 05 BLACK-Ral9005

As part of our continuous improvement program, we reserve the right to make further improvements without notice.